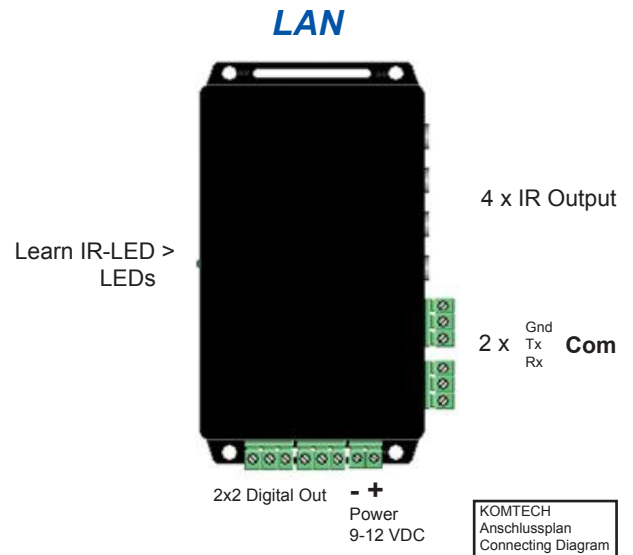


## KOMTECH LAN/IR module

- Media controll with integrated LAN connection
- Interfaces:
  - 2x RS232
  - 4x IR
  - 4x Digital Out
- Integration in LAN environment
- Integrated IR learning system
- 96 IR commands
- 48 RS232 commands
- 32 macros
- External voltage supply
- IR control via WLAN or RS232
- TCP/IP Address via enclosed software adjustable
- Integrated WLAN antenna



### Technical Data

Dimensions (W x H x D)	145mm x 64mm x 40mm
Operating temperature	15 - 45°C
Weight (without modules)	0,5kg

### Connectors

#### LAN/IP

Type	RJ45
------	------

#### IR

Number of IR transmitter	4
Connector	3,5mm phone jack
Max. number of IR commands	96 with „Delay After“ function
Frequency response	32 - 46 KHz
Number of commands per IR output	0 - 96
Learning function	Integrated

#### RS232 / COM

Number of	2x unidirectional
Baud rate	4800, <b>9600</b> , 19200, 38400 Baud
Data-Bit	8
Parity-Bit	None
Stopp-Bit	1
Number of commands	48 (ex Handshake)
Max. large of commands	28 characters

#### Digital Out

Number of	4
max output current	25mA
output impedance	22Ω

#### Macros

Number of	32
Number of macros per port	0 - 32
Number of steps per macro	8
	Timingmanagement for every macro step

#### Included in delivery

Configuration software  
Operating manual  
2x IR transmit diode

#### Optional scope of delivery

IR transmit diode

Type	Item No.
LAN/IR module	06001631